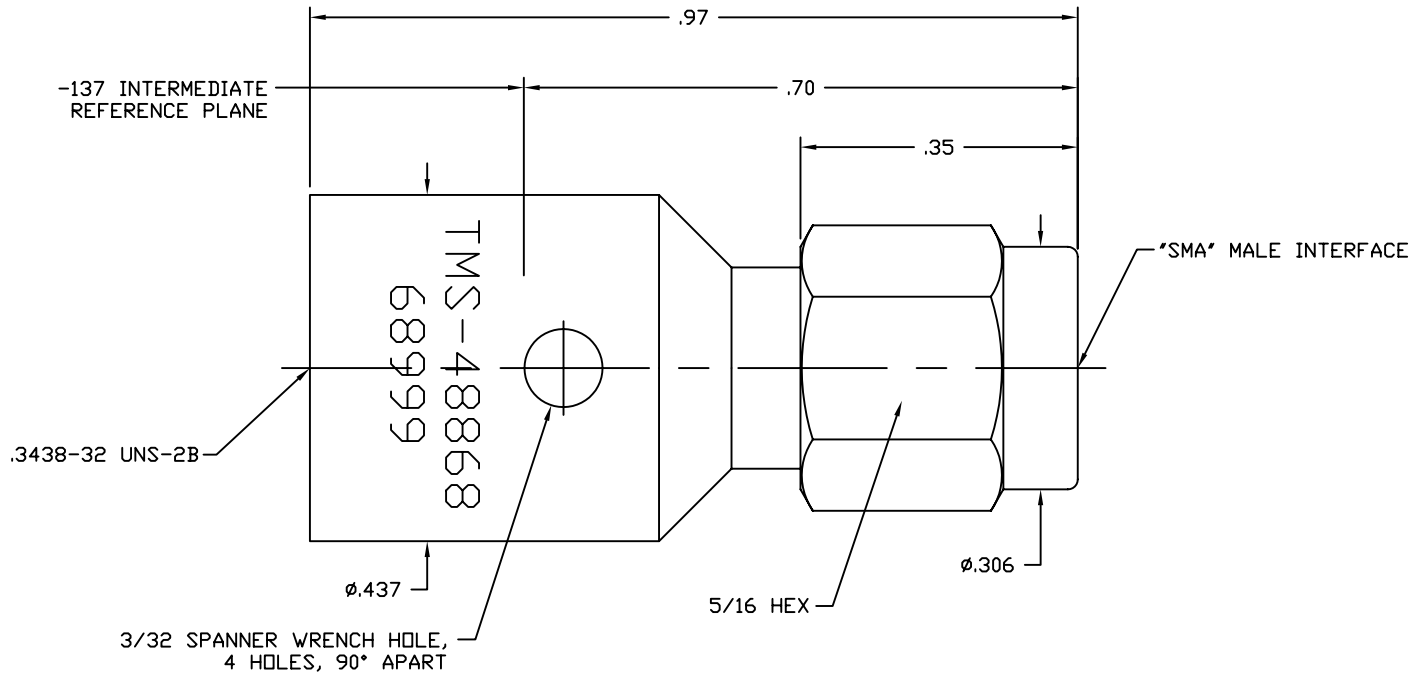


NOTICE OF PROPRIETARY RIGHTS

THIS DOCUMENT CONTAINS CONFIDENTIAL TECHNICAL DATA, INCLUDING TRADE SECRETS, PROPRIETARY TO TIMES MICROWAVE SYSTEMS. DISCLOSURE OF THIS DATA IS EXPRESSLY CONDITIONED UPON YOUR ASSENT THAT ITS USE IS LIMITED TO USE WITHIN YOUR COMPANY ONLY. ANY OTHER USE IS STRICTLY PROHIBITED WITHOUT THE PRIOR WRITTEN CONSENT OF TIMES MICROWAVE SYSTEMS.

SYM	REVISION DESCRIPTION	DFTM	DATE	APPD	DATE
A	RELEASED FOR PRODUCTION	<i>D. R. W.</i>	7/18/05	<i>J. D. B.</i>	7/27/05
B	CHANGED PER CDC #26225	<i>D. J. H.</i>	10/17/06	<i>J. D. B.</i>	10/18/06

SD48868



DRAFTSMAN	<i>Daniel R. Whitaker</i>	7/18/05
CHECKER	<i>John D. Bloomfield</i>	7/27/05
APPROVED	<i>John D. Bloomfield</i>	7/27/05

TIMES MICROWAVE SYSTEMS

TITLE:
REPLACEABLE FRONT END -137
"SMA" MALE

UNLESS OTHERWISE SPECIFIED
ALL DIMENSIONS ARE IN INCHES
MACHINED SURFACES FINISH N/A RMS MAX.
REMOVE ALL BURRS .005 MAX. BREAK
MACHINE CORNERS .005 MAX. FILLET R.
TOLERANCES ON DECIMALS
.XX ± .03 .XXX ± .005
ANGLES ± 1° FRACTIONS ± 1/32
DO NOT SCALE DRAWING

DWG. SIZE	B	DRWG. NO.	SD48868	REV.	B
CODE IDENT.	68999	SCALE	NONE	SHEET	1 of 1

DIELECTRICS	TEFLON, ASTM D1457	NONE	012445
COUPLING NUT	STAINLESS STEEL, ASTM A582	PASSIVATE, QQ-P-35	W.O. NUMBER
BODY	STAINLESS STEEL, ASTM A582	PASSIVATE, QQ-P-35, & GOLD PLATE, MIL-G-45204	MATERIAL:
CONTACT	BERYLLIUM COPPER, ASTM B196	GOLD PLATE, MIL-G-45204	SEE TABLE
PART NAME	MATERIAL & SPEC. NUMBER	FINISH & SPEC. NUMBER	