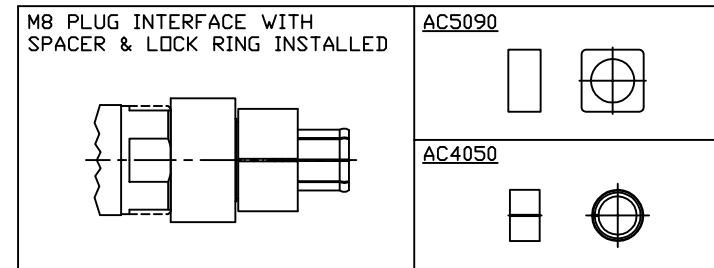
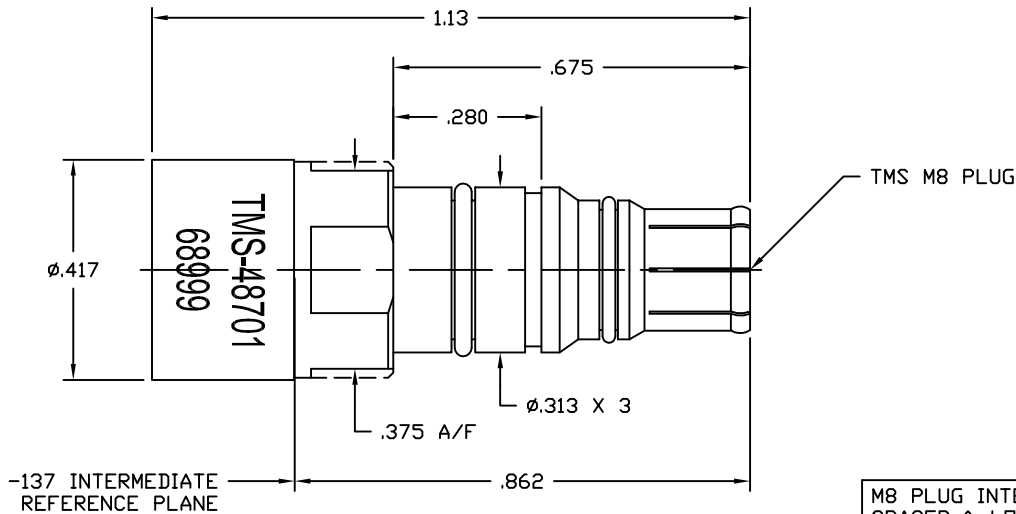


NOTICE OF PROPRIETARY RIGHTS

THIS DOCUMENT CONTAINS CONFIDENTIAL TECHNICAL DATA, INCLUDING TRADE SECRETS, PROPRIETARY TO TIMES MICROWAVE SYSTEMS. DISCLOSURE OF THIS DATA IS EXPRESSLY CONDITIONED UPON YOUR ASSENT THAT ITS USE IS LIMITED TO USE WITHIN YOUR COMPANY ONLY. ANY OTHER USE IS STRICTLY PROHIBITED WITHOUT THE PRIOR WRITTEN CONSENT OF TIMES MICROWAVE SYSTEMS.

SD18701

SYM	REVISION DESCRIPTION	DFTM	DATE	APPD	DATE
A	RELEASED FOR PRODUCTION	J. D. B.	3/16/99	J. D. B.	3/17/99
B	CHANGED PER CDC #26495	D. R. W.	1/23/06	J. D. B.	2/6/07
C	CHANGED PER CDC #31272	D. J. H.	2/12/10	J. D. B.	2/12/10



NOTES:

- LOCK RING AC4050 IS SUPPLIED WITH THE CONNECTOR AND IS NECESSARY TO HOLD THE CONTACT IN THE MULTIPORT CONNECTOR SHELL. THE RING IS SUPPLIED INSTALLED WITH SPACER AC5090. REMOVE RING AND SPACER BEFORE INSTALLING IN SHELL. DISCARD SPACER (AC5090).
- INSTALLATION TOOL IN-2964 (AC4319) OR IN-2478 (AC4034) IS REQUIRED FOR ASSEMBLY AND REMOVAL OF THE CONNECTOR IN THE MULTIPORT CONNECTOR SHELL.

DRAFTSMAN	John D. Bloomfield	3/16/99
CHECKER	John D. Bloomfield	3/17/99
APPROVED	John D. Bloomfield	3/17/99

UNLESS OTHERWISE SPECIFIED
 ALL DIMENSIONS ARE IN INCHES
 MACHINED SURFACES FINISH N/A RMS MAX.
 REMOVE ALL BURRS .005 MAX. BREAK
 MACHINE CORNERS .005 MAX. FILLET R.
 TOLERANCES ON DECIMALS
 .XX ± .03 .XXX ± .005
 ANGLES ± 1° FRACTIONS ± 1/32

DO NOT SCALE DRAWING

TIMES MICROWAVE SYSTEMS		
TITLE: REPLACEABLE FRONT END -137 TMS M8 PLUG		
DWG. SIZE	B	REV. C
DRWG. NO.	SD48701	
CODE IDENT.	68999	
SCALE:	NONE	SHEET: 1 of 1

011890
W.O. NUMBER
MATERIAL:
SEE TABLE

DIELECTRICS	TEFLON, ASTM D1710	NONE
BODY	BERYLLIUM COPPER, ASTM B196	GOLD PLATE, MIL-G-45204
CONTACT	BERYLLIUM COPPER, ASTM B196	GOLD PLATE, MIL-G-45204
PART NAME	MATERIAL & SPEC. NUMBER	FINISH & SPEC. NUMBER