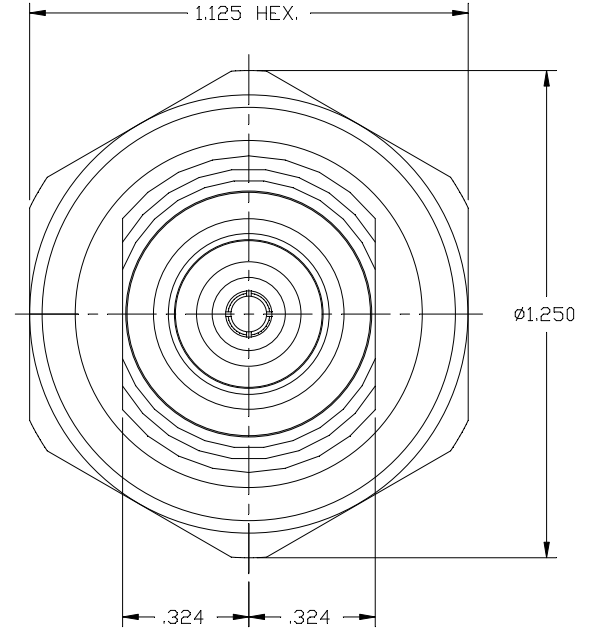
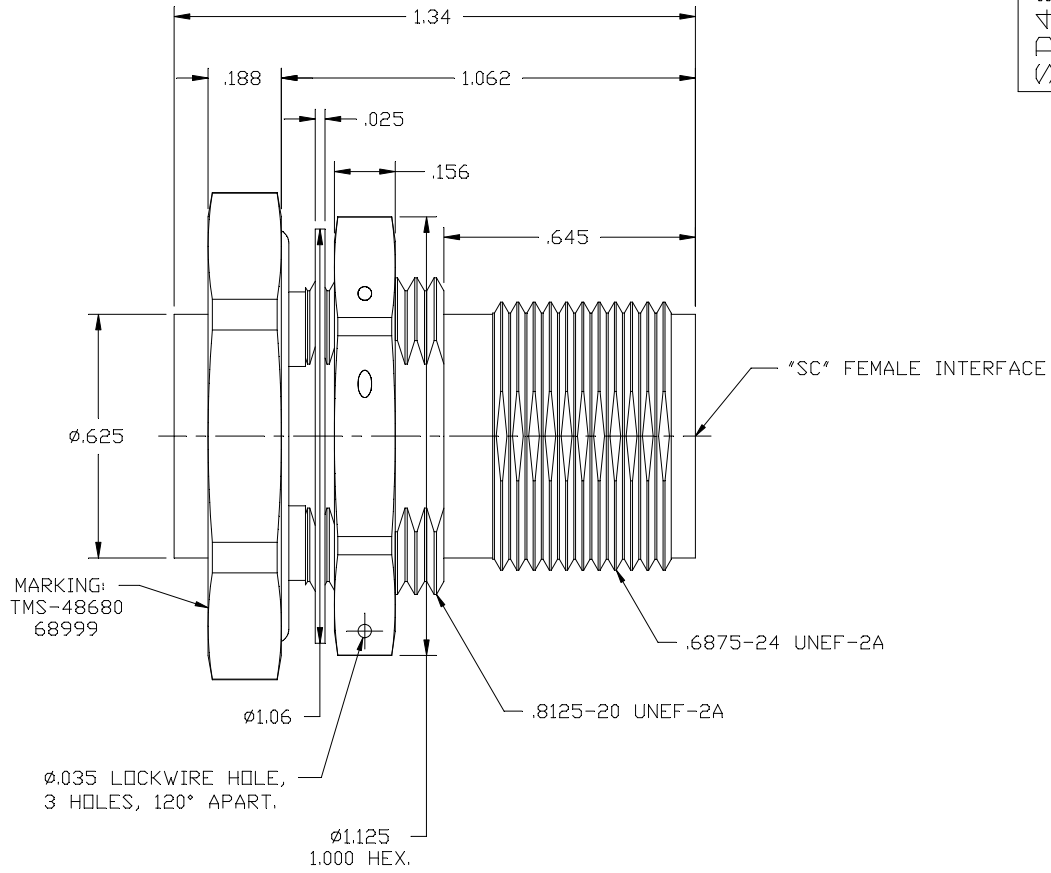


SD48680

SYM	REVISION DESCRIPTION	DFTM	DATE	APPD	DATE
A	RELEASED FOR PRODUCTION				



VIEW SHOWN WITHOUT O-RING, LOCK WASHER AND JAM NUT

PART NAME	MATERIAL & SPEC. NUMBER	FINISH & SPEC. NUMBER
DIELECTRICS	TEFLON, ASTM D1457	NONE
JAM NUT	STAINLESS STEEL, ASTM A582	PASSIVATE, QQ-P-35
BODY	STAINLESS STEEL, ASTM A582	PASSIVATE, QQ-P-35
CONTACTS	BERYLLIUM COPPER, QQ-C-530	GOLD PLATE, MIL-G-45204

011834
W.D. NUMBER
MATERIAL:
SEE TABLE

DRAFTSMAN	John D. Bloomfield	3/24/98
CHECKER		
APPROVED		
UNLESS OTHERWISE SPECIFIED		
ALL DIMENSIONS ARE IN INCHES		
MACHINED SURFACES FINISH N/A RMS MAX.		
REMOVE ALL BURRS .005 MAX. BREAK		
MACHINE CORNERS .005 MAX. FILLET R.		
TOLERANCES ON DECIMALS		
.XX ± .03	.XXX ± .005	
ANGLES ± 1°	FRACTIONS ± 1/32	
DO NOT SCALE DRAWING		

TIMES MICROWAVE SYSTEMS			
TITLE: REPLACEABLE FRONT END "SC" FEMALE BULKHEAD			
DWG. SIZE	B	DRWG. NO.	SD48680
REV.	A	CODE IDENT.	68999
SCALE:	NONE	SHEET:	1 of 1