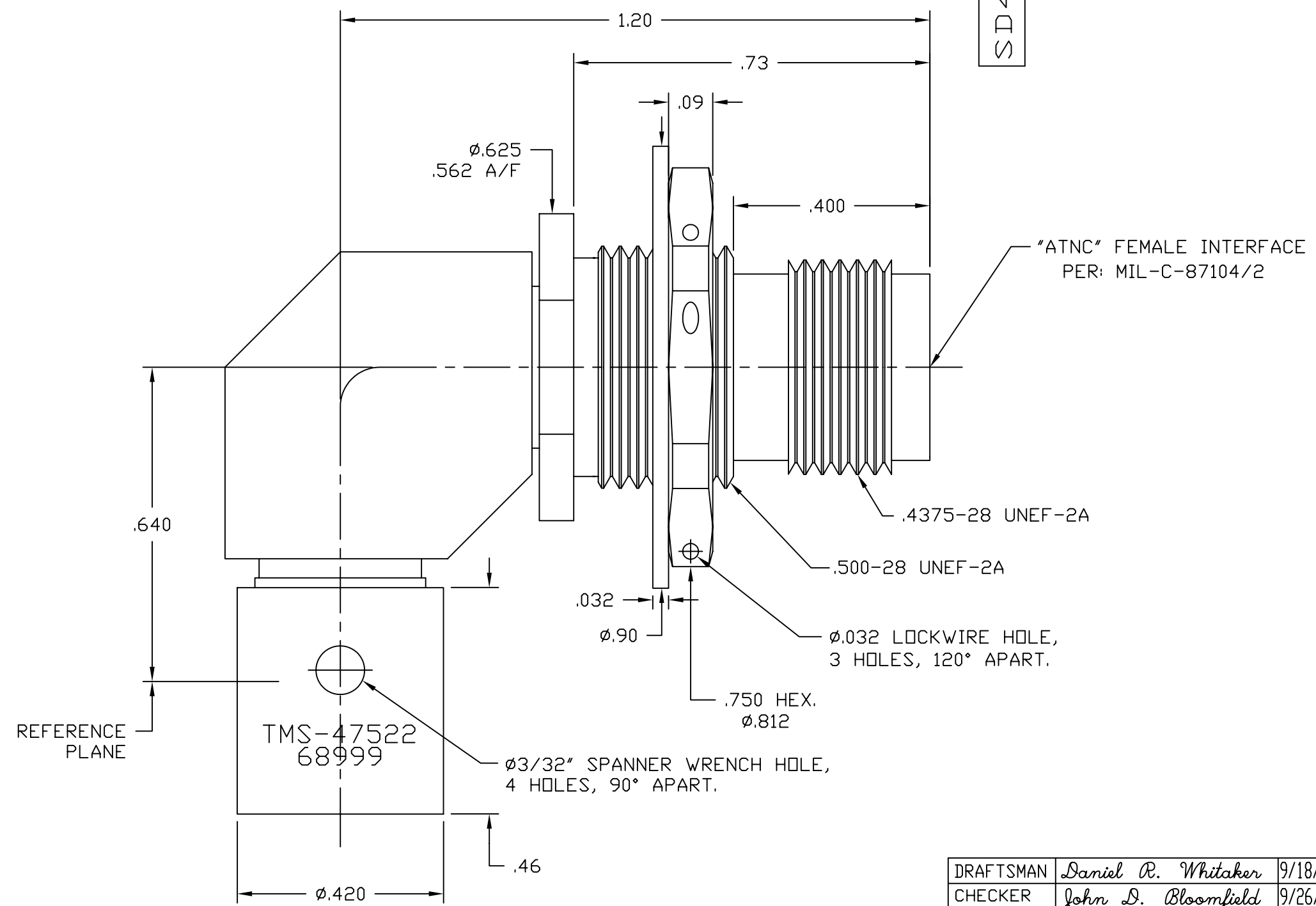


NOTICE OF PROPRIETARY RIGHTS  
 THIS DOCUMENT CONTAINS CONFIDENTIAL TECHNICAL DATA, INCLUDING TRADE SECRETS, PROPRIETARY TO TIMES MICROWAVE SYSTEMS. DISCLOSURE OF THIS DATA IS EXPRESSLY CONDITIONED UPON YOUR ASSENT THAT ITS USE IS LIMITED TO USE WITHIN YOUR COMPANY ONLY. ANY OTHER USE IS STRICTLY PROHIBITED WITHOUT THE PRIOR WRITTEN CONSENT OF TIMES MICROWAVE SYSTEMS.

SYM	REVISION DESCRIPTION	DFTM	DATE	APPD	DATE
A	RELEASED FOR PRODUCTION	D.R.W.	9/18/06	J.D.B.	9/26/06

SD47522



DRAFTSMAN	Daniel R. Whitaker	9/18/06
CHECKER	John D. Bloomfield	9/26/06
APPROVED	John D. Bloomfield	9/26/06

**TIMES MICROWAVE SYSTEMS**

TITLE:  
 REPLACEABLE FRONT END -137  
 90° "ATNC" FEMALE BULKHEAD  
 (TITANIUM)

PART NAME	MATERIAL & SPEC. NUMBER	FINISH & SPEC. NUMBER
DIELECTRICS	TEFLON, ASTM D1457	NONE
COUPLING NUT	TITANIUM ALLOY, Ti-6Al-4V	PASSIVATE, ASTM F86-04
JAM NUT	TITANIUM ALLOY, Ti-6Al-4V	PASSIVATE, ASTM F86-04
WASHER	STAINLESS STEEL, ASTM A582	PASSIVATE, QQ-P-35
BODIES	TITANIUM ALLOY, Ti-6Al-4V	PASSIVATE, ASTM F86-04
CONTACTS	BERYLLIUM COPPER, ASTM B196	GOLD PLATE, MIL-G-45204

012572  
 W.O. NUMBER  
 MATERIAL:  
 SEE TABLE

UNLESS OTHERWISE SPECIFIED  
 ALL DIMENSIONS ARE IN INCHES  
 MACHINED SURFACES FINISH N/A RMS MAX.  
 REMOVE ALL BURRS .005 MAX. BREAK  
 MACHINE CORNERS .005 MAX. FILLET R.  
 TOLERANCES ON DECIMALS  
 .XX ± .03 .XXX ± .005  
 ANGLES ± 1° FRACTIONS ± 1/32  
 DO NOT SCALE DRAWING

DWG. SIZE	<b>B</b>	DRWG. NO.	SD47522	REV.	A
CODE IDENT.	68999	SCALE:	NONE	SHEET:	1 of 1