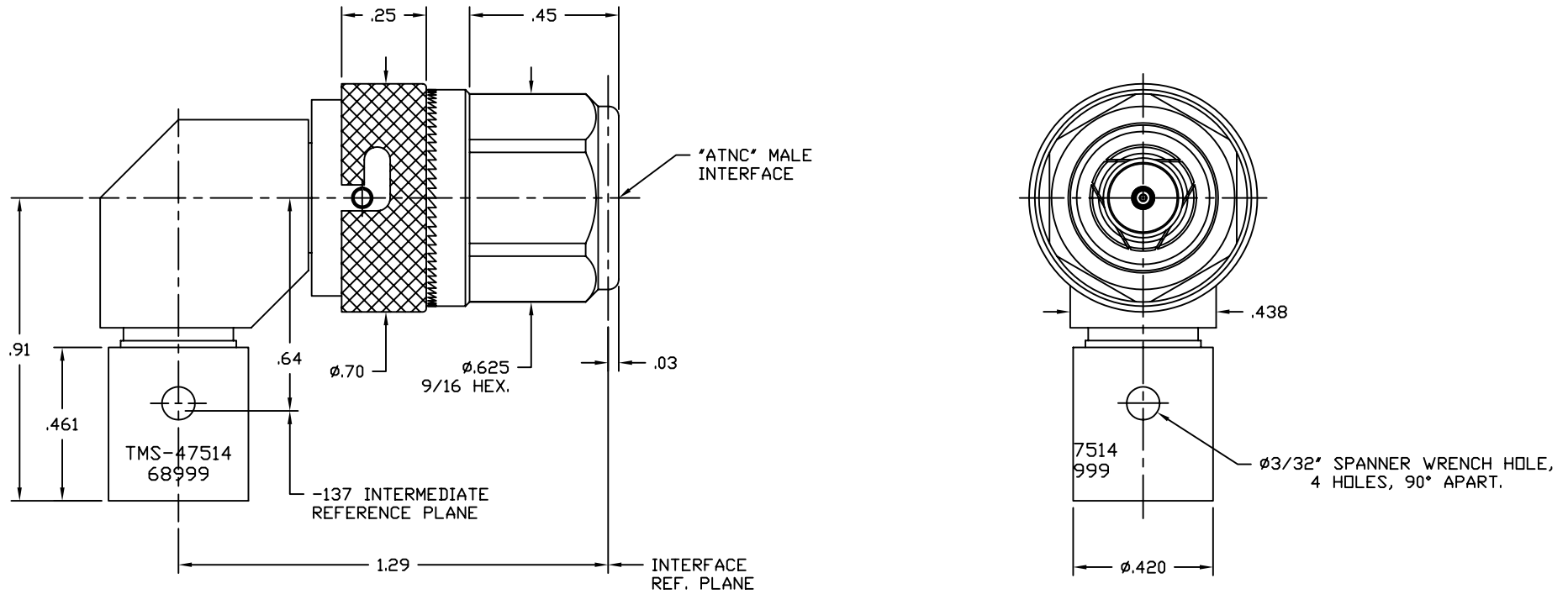


**NOTICE OF PROPRIETARY RIGHTS**

THIS DOCUMENT CONTAINS CONFIDENTIAL TECHNICAL DATA, INCLUDING TRADE SECRETS, PROPRIETARY TO TIMES MICROWAVE SYSTEMS. DISCLOSURE OF THIS DATA IS EXPRESSLY CONDITIONED UPON YOUR ASSENT THAT ITS USE IS LIMITED TO USE WITHIN YOUR COMPANY ONLY. ANY OTHER USE IS STRICTLY PROHIBITED WITHOUT THE PRIOR WRITTEN CONSENT OF TIMES MICROWAVE SYSTEMS.

SD47514

SYM	REVISION DESCRIPTION	DFTM	DATE	APPD	DATE
A	RELEASED FOR PRODUCTION	D. J. H.	7/7/06	J. D. B.	7/7/06



DRAFTSMAN	<i>Dan Hong</i>	7/7/06
CHECKER	<i>John D. Bloomfield</i>	7/7/06
APPROVED	<i>John D. Bloomfield</i>	7/7/06

UNLESS OTHERWISE SPECIFIED  
 ALL DIMENSIONS ARE IN INCHES  
 MACHINED SURFACES FINISH N/A RMS MAX.  
 REMOVE ALL BURRS .005 MAX. BREAK  
 MACHINE CORNERS .005 MAX. FILLET R.  
 TOLERANCES ON DECIMALS  
 .XX ± .03 .XXX ± .005  
 ANGLES ± 1° FRACTIONS ± 1/32  
 DO NOT SCALE DRAWING

<b>TIMES MICROWAVE SYSTEMS</b>		
TITLE: REPLACEABLE FRONT END -137 90° "ATNC" MALE WITH LOCKING COUPLING NUT (TITANIUM)		
DWG. SIZE	<b>B</b>	DRWG. NO. SD47514
CODE IDENT. 68999	SCALE: NONE	SHEET: 1 of 1

012562
W.O. NUMBER
MATERIAL: SEE TABLE

BODIES AND NUTS	TITANIUM ALLOY, Ti-6Al-4V	PASSIVATE, ASTM F86-04
DIELECTRICS	TEFLON, ASTM D1457	NONE
CONTACTS	BERYLLIUM COPPER, ASTM B196	GOLD PLATE, MIL-G-45204
PART NAME	MATERIAL & SPEC. NUMBER	FINISH & SPEC. NUMBER