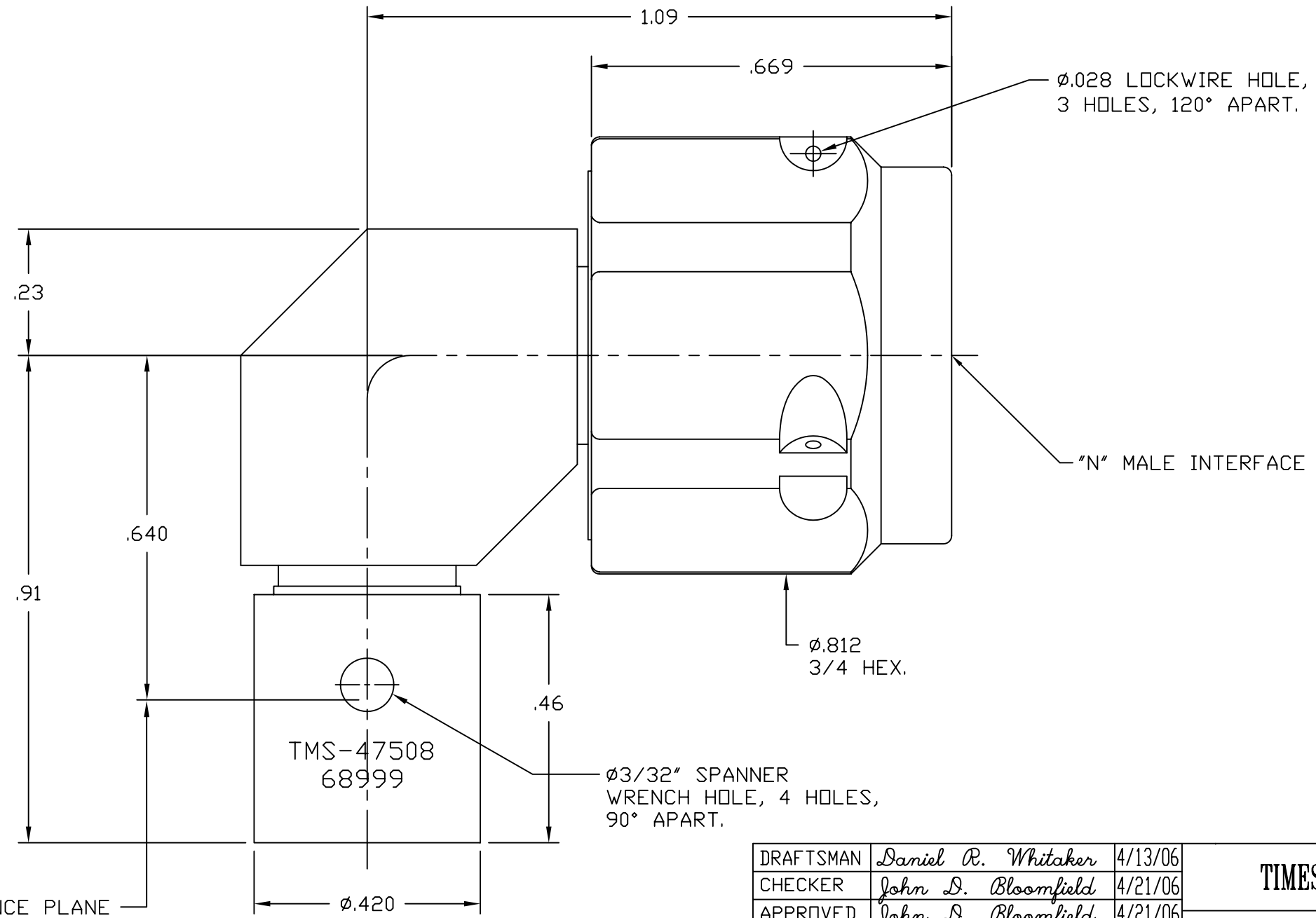


NOTICE OF PROPRIETARY RIGHTS
 THIS DOCUMENT CONTAINS CONFIDENTIAL TECHNICAL DATA, INCLUDING TRADE SECRETS, PROPRIETARY TO TIMES MICROWAVE SYSTEMS. DISCLOSURE OF THIS DATA IS EXPRESSLY CONDITIONED UPON YOUR ASSENT THAT ITS USE IS LIMITED TO USE WITHIN YOUR COMPANY ONLY. ANY OTHER USE IS STRICTLY PROHIBITED WITHOUT THE PRIOR WRITTEN CONSENT OF TIMES MICROWAVE SYSTEMS.

SYM	REVISION DESCRIPTION	DFTM	DATE	APPD	DATE
A	RELEASED FOR PRODUCTION	D.R.W.	4/13/06	J.D.B.	4/21/06

SD47508



INTERMEDIATE REFERENCE PLANE

DRAFTSMAN	Daniel R. Whitaker	4/13/06
CHECKER	John D. Bloomfield	4/21/06
APPROVED	John D. Bloomfield	4/21/06

TIMES MICROWAVE SYSTEMS

TITLE:
 REPLACEABLE FRONT END -137
 90° "N" MALE
 (RECTANGULAR BODY)

PART NAME	MATERIAL & SPEC. NUMBER	FINISH & SPEC. NUMBER
DIELECTRICS	TEFLON, ASTM D1457	NONE
BACK NUT	STAINLESS STEEL, ASTM A582	PASSIVATE, QQ-P-35
COUPLING NUT	STAINLESS STEEL, ASTM A582	PASSIVATE, QQ-P-35
BODY	STAINLESS STEEL, ASTM A582	PASSIVATE, QQ-P-35
CONTACTS	BERYLLIUM COPPER, ASTM B196	GOLD PLATE, MIL-G-45204

012542
 W.O. NUMBER
 MATERIAL:
 SEE TABLE

UNLESS OTHERWISE SPECIFIED
 ALL DIMENSIONS ARE IN INCHES
 MACHINED SURFACES FINISH N/A RMS MAX.
 REMOVE ALL BURRS .005 MAX. BREAK
 MACHINE CORNERS .005 MAX. FILLET R.
 TOLERANCES ON DECIMALS
 .XX ± .03 .XXX ± .005
 ANGLES ± 1° FRACTIONS ± 1/32
 DO NOT SCALE DRAWING

DWG. SIZE	B	DRWG. NO.	SD47508	REV.	A
CODE IDENT.	68999	SCALE:	NONE	SHEET:	1 of 1